

# TABLE-TOP BLOOD PRESSURE KIOSK



\*Integrated instruction panel



\*Stand available separately



CLINICALLY  
VALIDATED

## KEY FEATURES:



One Button Operation



Small Footprint



Result Printout



Irregular Heartbeat Indicator



Antibacterial Cuff



2 Year Warranty

Professional blood pressure kiosk has a small foot print, perfect for small pharmacies, mobile clinics or workplace screening. This durable monitor is designed to be used multiple times a day with simple directions to take proper measurements.

### Accurate Reading

Clinically validated with rigorous protocols performed by independent researchers and published in peer reviewed journals.

### Innovative Technology

The unique cuff inflation system stabilizes the arm and customizes the cuff circumference to the patient. This provides fast, accurate and reliable results.

### Easy and Fast Operation

Simply press a button to operate the machine. Integrated instruction panel allows patients to easily take their blood pressure without the aid of a healthcare professional.

### Integration

An optional *Bluetooth*® or RS232C communication module is available allowing connectivity and seamless collection of data.

### Flexible Applications

This monitor can be used as a health screening station, alone on a tabletop, or as part of a kiosk system. This makes it the ideal solution for use in clinics and retail pharmacies.

### Customized Result Printout

A printer is standard with the TM-2657P. The printout can be customized with a store or hospital name and the user can keep it as a log and/or provide it to the nurse or doctor.

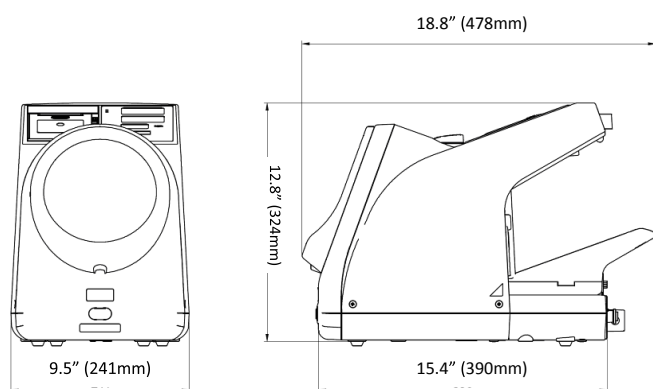
### Sanitary Solution

An anti-bacterial cuff cloth provides a sanitary solution. The cuff cloth is easily replaced.

## Technical Specifications

<b>Display</b>	3 Digit Display LED & LED Lamp
<b>Time/Date</b>	12 Hour Format, Year, Month, and Day
<b>Measurement Method</b>	Oscillometric Measurement
<b>Applied Pressure</b>	Automatic Inflation by Air Pump
<b>Pressure Display Range</b>	0-299 mmHg
<b>Accuracy</b>	<b>Pressure:</b> ±3 mmHg or 2%, <b>Pulse:</b> ±5%
<b>Cuff Size</b>	Fits Arms 7.1"-13.8"
<b>Clinical Test</b>	EN1060-4:2004
<b>AC Power Supply</b>	100-240V, 5-60 HZ
<b>Power Consumption</b>	50-80 VA
<b>Wired Communication</b>	Optional RS-232C
<b>Wireless Connection</b>	Optional <i>Bluetooth</i> ®
<b>Safety Standard</b>	IEC60601-1:2005
<b>EMC Compliance</b>	Complies with EMC Standard IEC60601-1-2:2007
<b>Operating Environment Temperature</b>	50°F to 104°F (10 to 40°C), Humidity: 30-85% RH (no condensation)
<b>Storage Environment Temperature</b>	-4°F to 140°F (-20 to 60°C), Humidity: 10-95% RH (no condensation)

## External Dimensions



## Packaging and Shipping Specifications

	Individual Unit (Box)
<b>Dimensions (in)</b> (LxWxH)	22.8" x 13.3" x 18.1"
<b>Weight (lb)</b>	19.55 lb
<b>UPC</b>	0-93764-60350-1

## Stand Dimensions

	Individual Unit
<b>Dimensions (in)</b> (LxWxH)	25.38" x 4.63" x 22.38"
<b>Weight (lb)</b>	18.9 lb

## What Is In The Box

- Kiosk Monitor
- Power Cable
- Printer Paper (1 Roll)
- Antibacterial Arm Cuff Cover (5 Pieces/Set)
- Instruction Manual
- Patient Instruction Panel